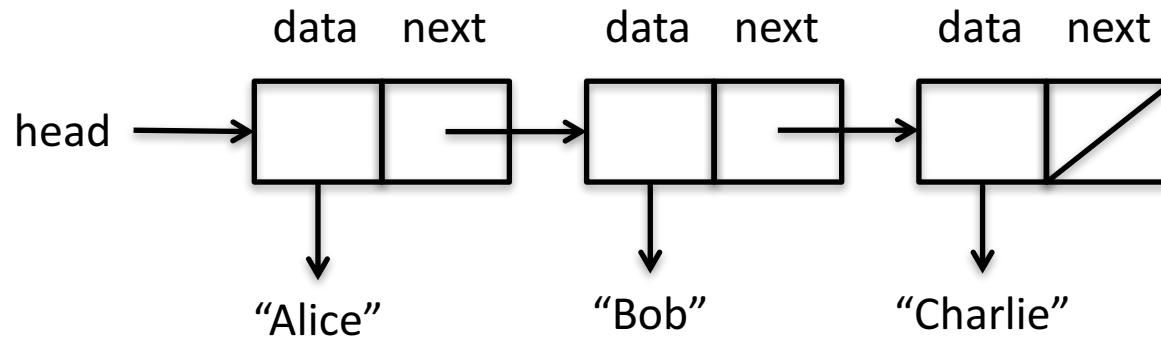


Singly linked list review: elements have data and a next pointer

Singly linked list

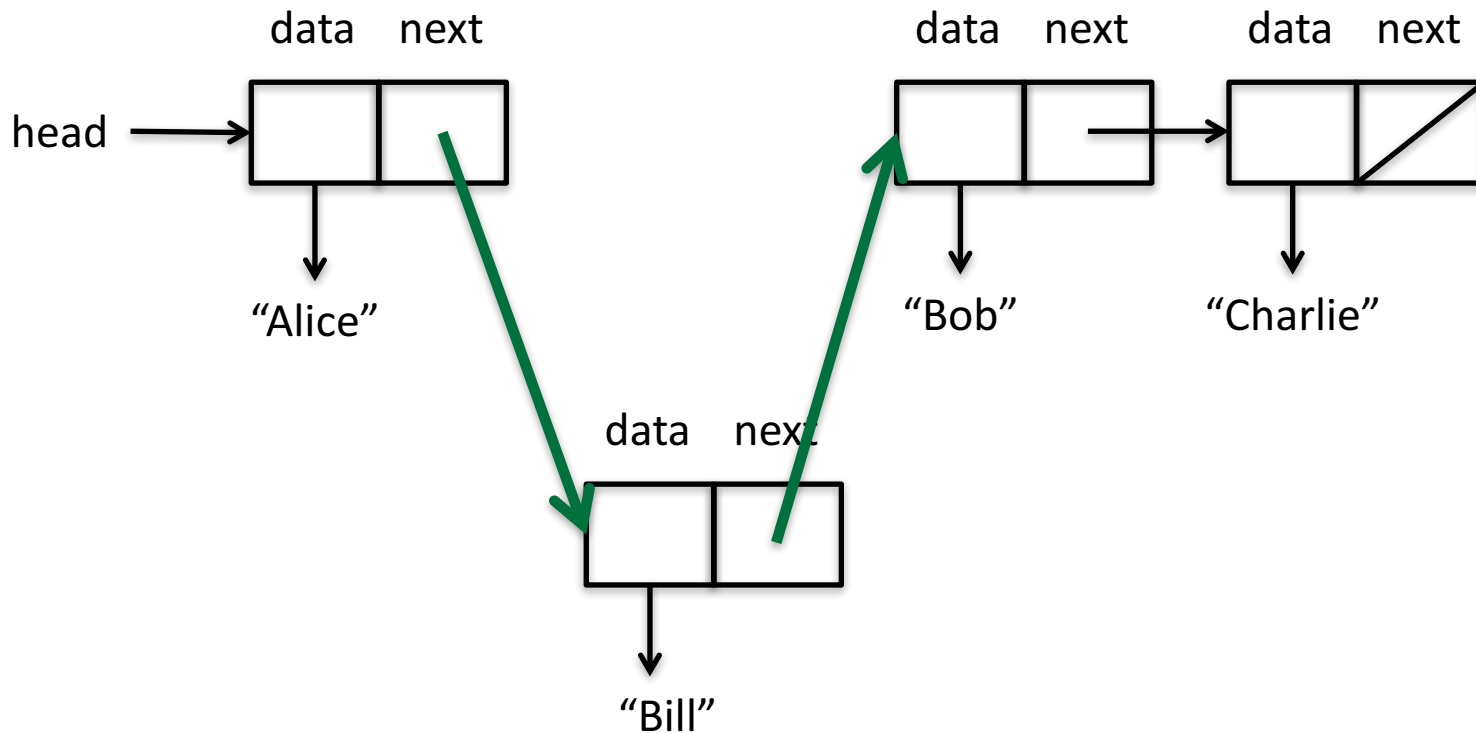


Finding data in Singly Linked List

- Keep pointer to head
- To find item, must start at head and march down until get to desired index (or in other implementations find object with matching data – find “Charlie” vs. get at index 2)

Insert “splices in” a new object anywhere in the list by updating next pointers

Insert item at index 1



Remove takes an item out of the list by updating next pointer

Remove item at index 1

